

Read this manual carefully and understand all of it's contents before you assemble and load the Rotating stage



MANUAL STAGEDEX

June 2009



PROLYTE PRODUCTS

Industriepark 9, 9351 PA Leek, The Netherlands
phone: +31 (0)594 85 15 15, fax: +31 (0)594 85 15 16
e-mail: info@prolyte.com, website: www.prolyte.com

Preface

This preface explains how to interpret the symbols and text styles in this manual.

Warnings and cautions contain important information that can protect you, the trusses, and the construction. Always read warnings and attentions.

Notes contain additional information. Some notes contain basic information for inexperienced users. Others provide extra information or tips for experienced users

WARNING !

The information in a warning protects against bodily harm or loss of life

CAUTION

The information in an caution protects against damage to the truss or optional external parts

NOTE

The information in a note provides supplementary information for inexperienced or advanced users

This manual has been written for all the users of the Prolyte Stagedex. Make sure that you read and understand this manual completely before using this system. This manual shall be available for everyone assembling, disassembling or loading the stagedex. Save this manual for later use or download it from the Prolyte website

For health and safety reasons people assembling, disassembling, transporting and maintaining the stagedex should wear adequate Personal Protection Equipment like, but not limited to, gloves, hard heads and safety shoes. Elements weighting 20 kg or more shall be carried by at least 2 persons. Artists, performers who have to be on the stage or in the vicinity of 50 cm shall be instructed and informed about correct use and possible dangers before use.

CAUTION !

Possible dangers but not limited to are, trapping, skidding, jamming

SCOPE:

Prolyte stagedex is modular framework with different types of topping to be used as raised platform for purposes of displaying, performances etc..

LIMITATIONS OF USE:

Prolyte stage dex can be used to carry loads up to 750 kg/m² in environmental temperatures from 40dgr. Celsius to + 60dgr. Celsius. The maximum allowable loading is determined by the type of legs used as well as their height. The maximum horizontal load is 10% of the max total vertical load.

Max loading and max. point load as well as the required loading of railings depend quite often on the local codes applicable and whether the system has restricted use or has general public acces.

- In case of restricted use and use as working platform a railing with a capacity of 30 kg/m1 is sufficient
- In case of general public access a railing of 100 kg/m1 is required

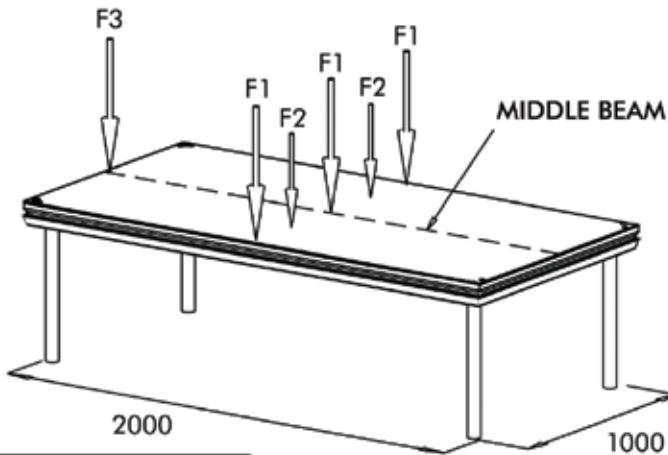
IDENTIFICATION:


Make sure only Prolyte original components are used. In case of doubt please contact you distributor or Prolyte

TECHNICAL SPECIFICATIONS

Table 1

Stage height	80 cm	100 cm	120 cm	140 cm	160 cm
Legs type	Uniformly distributed load				
Tube 48,3 x 4 (EN AW 6060 T5) aluminium	500 kg/m ²	500 kg/m ²	350 kg/m ²	350 kg/m ²	not allowed
Tube 48,3 x 3 (EN AW 6082 T6) aluminium	750 kg/m ²	500 kg/m ²	500 kg/m ²	350 kg/m ²	not allowed
Tube 48,3 x 4 (EN AW 6082 T6) aluminium	750 kg/m ²	750 kg/m ²	500 kg/m ²	500 kg/m ²	350 kg/m ²
Tube 48 x 3 St 37 steel	750 kg/m ²	750 kg/m ²	500 kg/m ²	500 kg/m ²	500 kg/m ²
Tube 40 x 40 x 3 (EN AW 6082 T6) steel	500 kg/m ²	500 kg/m ²	500 kg/m ²	350 kg/m ²	not allowed
Tube 40 x 40 x 2 St 37 steel	500 kg/m ²	500 kg/m ²	500 kg/m ²	350 kg/m ²	350 kg/m ²






PROLYTE PRODUCTS
STAGING - RIGGING - TRUSSING

date

welder

type

This item must be used within the limits of the structural report. Made in the Netherlands.



F1 = Point load 350 kg min. 50 x 50 mm
 F2 = Point load 210 kg min. 50 x 50 mm
 F3 = Point load 500 kg min. 50 x 50 mm



TECHNICAL SPECIFICATIONS

Standards used

DIN 1054	Baugrund - Sicherheitsnachweise im Erd- und Grundbau
DIN 1052	Entwurf, Berechnung und Bemessung von Holzbauwerken
DIN 1055	Einwirkungen auf Tragwerke
DIN 18800	Stahlbauten - Bemessung und Konstruktion
DIN 4112	Fliegende Bauten
DIN 4113-1 /A1	Aluminiumkonstruktionen Unter vorwiegend ruhender Beanspruchung
DIN 4113-2	Aluminiumkonstruktionen Unter vorwiegend ruhender Beanspruchung
	Berechnung geschweißter Aluminiumkonstruktionen
DIN 15920	Podestarten Teil 11 08/1978
Eurocode 5	Holzbauwerke

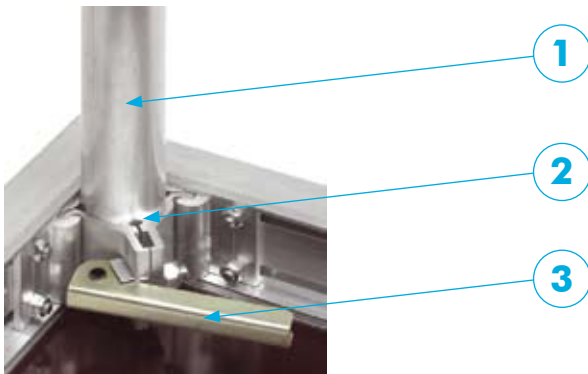
TOOLS NEEDED:

- ALLEN KEY SIZE 6
- ALLEN KEY SIZE 10
- RUBBER HAMMER
- ROTATING LASER LEVELER

ASSEMBLY INSTRUCTION:

For health and safety reasons people assembling, disassembling, transporting and maintaining stagedex should wear adequate Personal Protection Equipment like, but not limited to, gloves, hard heads and safety shoes. Elements weighting 20 kg or more shall be carried by at least 2 persons.

Fig 2.



1. Put the required leg type (fig. 2, item 1) in the leg adapter (fig. 2, item 2) at the underside of the deck frame
2. Tighten the leg by pulling the handle (fig. 2, item 3)
3. Do this at all 4 positions
4. Tip the deck over en put it in the right position
5. Repeat this as often as required to make the stage size required
6. Connect each element by using one of the following accessories

SM-ACC-CLP-01	Leg to leg clamp
SM-ACC-CLP-02	Leg to leg clamp for 4 legs
SM-ACC-CLP-03	Deck to deck clamp
SM-ACC-CON-02	Deck to deck connector

7. Connect now all railings and stairs needed.

MAINTENANCE AND REJECTION

Keep the system free from all kinds of dirt and paint. Use warm water and soap to clean parts, avoid the use of abrasive cleaning materials and fluids.

Repairs only should be done by the manufacturer or any 3rd party when explicitly agreed in writing by the manufacturer.

Deformations bigger as 5% of the diameter in any direction means the system can not be used for it max. loading

TRANSPORT AND STORAGE

Transport all components on pallets, dollies or flight cases when moving from one location to another. Damaging can occur easily by transporting parts. Damaged parts will negatively influence the working of the system

Store all components in such a way that they are free from dust and environmental influences.

